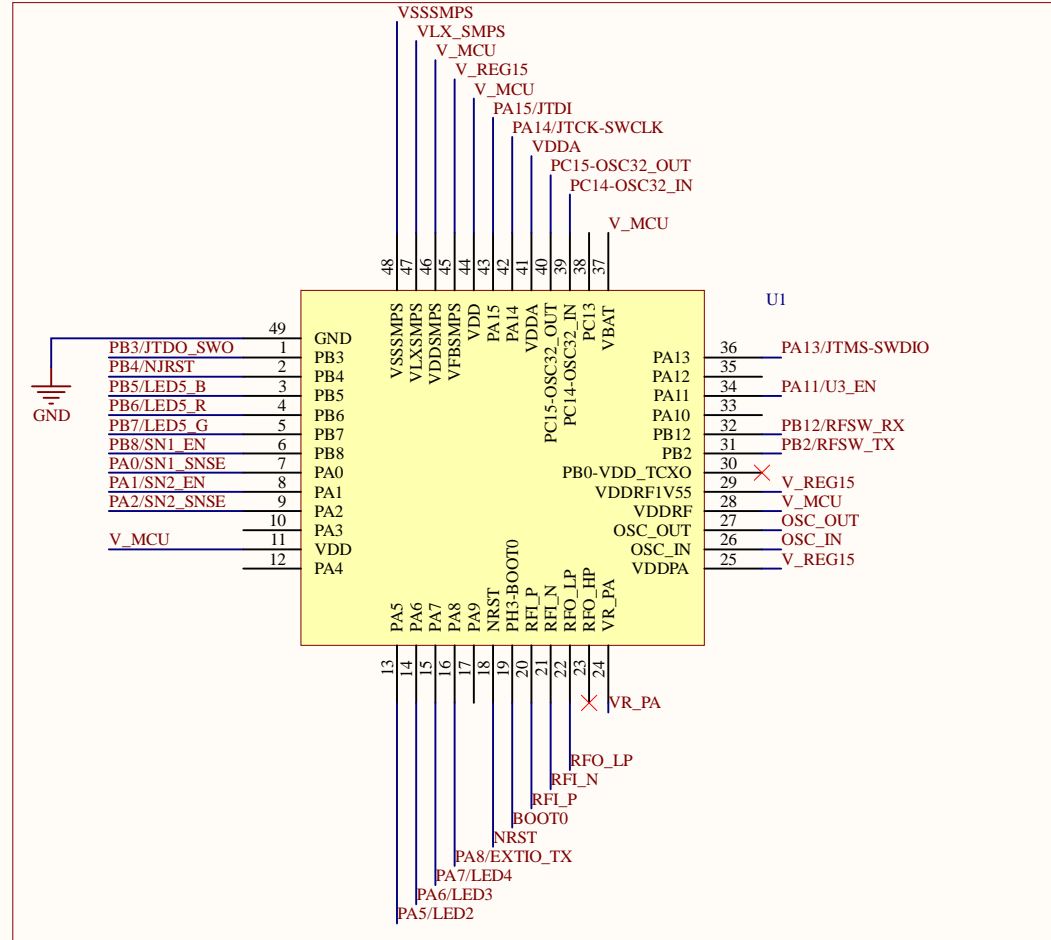
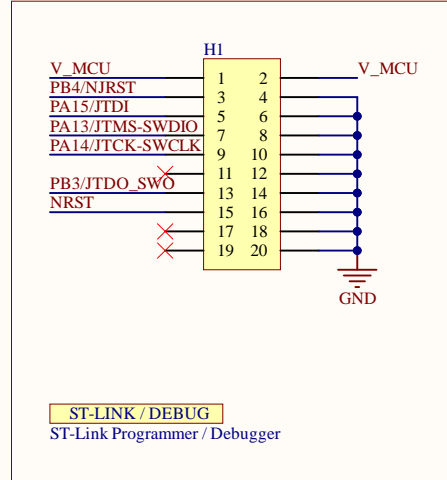


MICROCONTROLLER

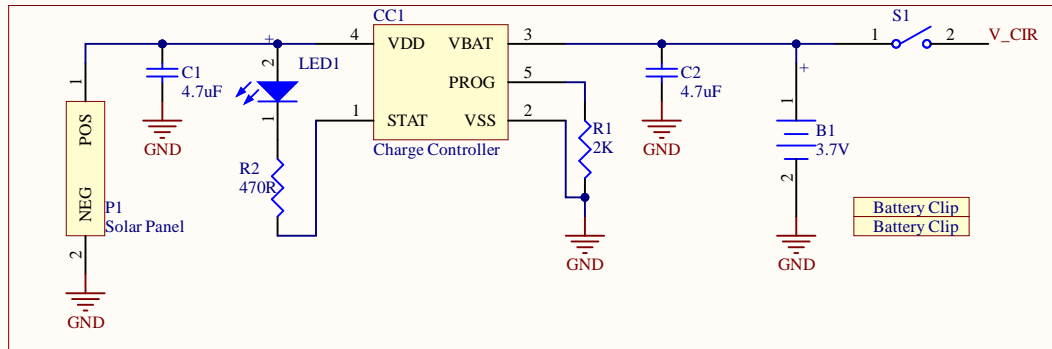


JTAG

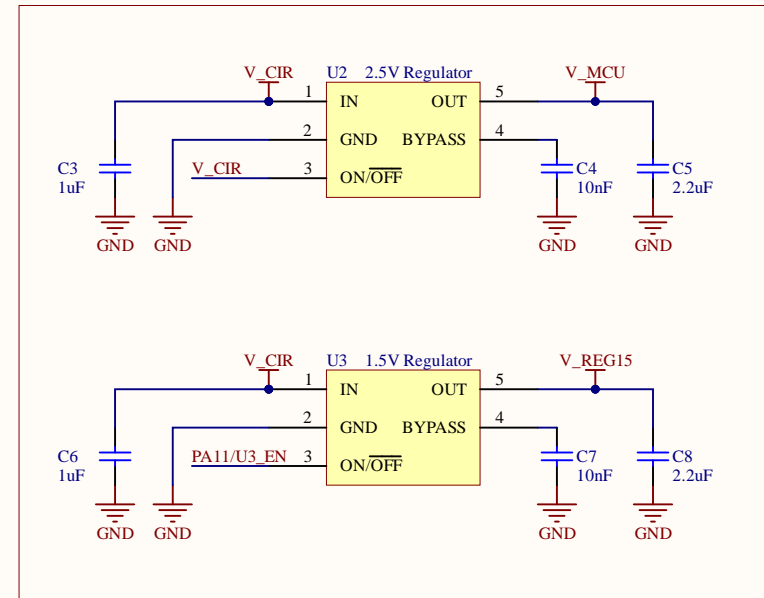


Title			WATER MONITOR SCHEMATIC		
Size	Number	Revision		PARTS ORDERED	
A4	1 OF 3				
Date:	9/07/2021	Sheet of			
File:	C:\Users\...\Water Monitor Schematic.Sch	Drawn By:			

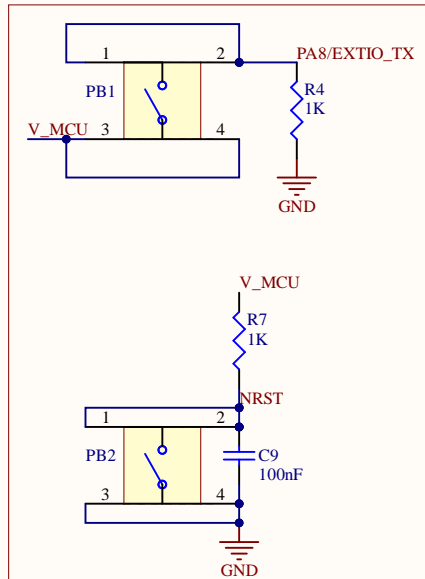
BATTERY



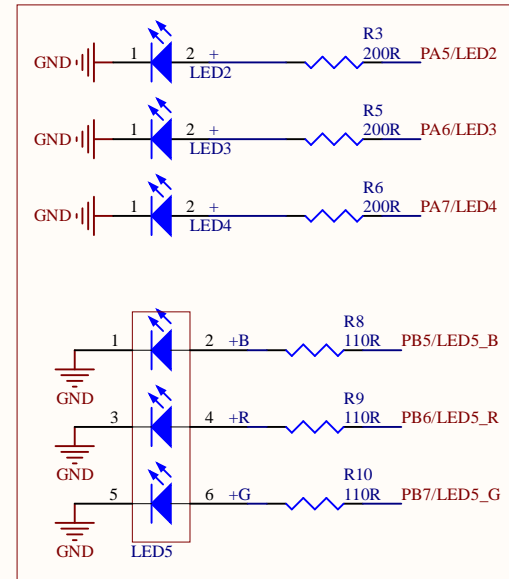
VOLTAGE REGULATION



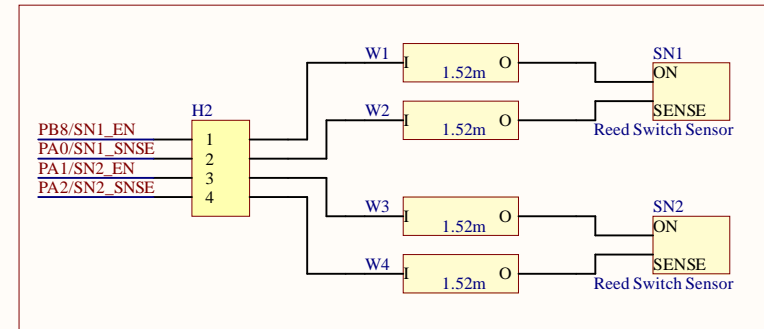
PUSHBUTTONS



LEDs

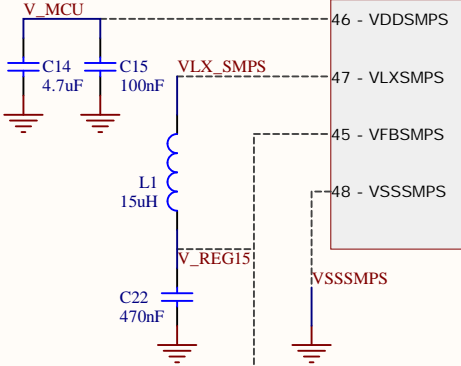


SENSORS

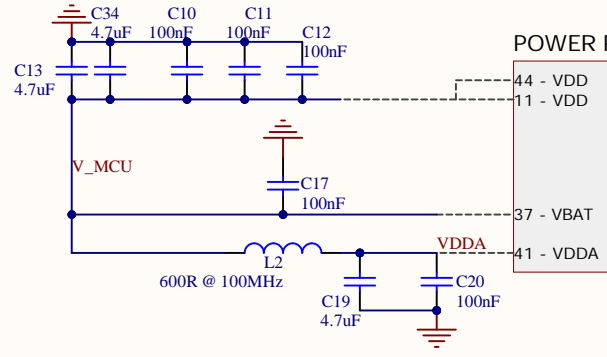


Title			WATER MONITOR SCHEMATIC
Size	Number	Revision	
A4	2 OF 3	POWER SUPPLY, USER IO, SENSORS	PARTS ORDERED
Date:	9/07/2021	Sheet of	
File:	C:\Users\...\Power, User IO, Sensors.SchDoc	Drawn By:	

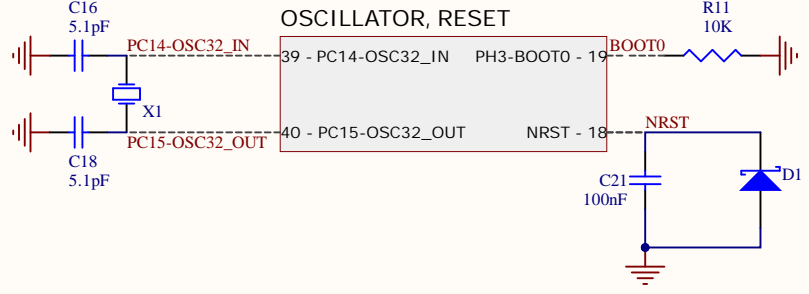
SMPS PINS



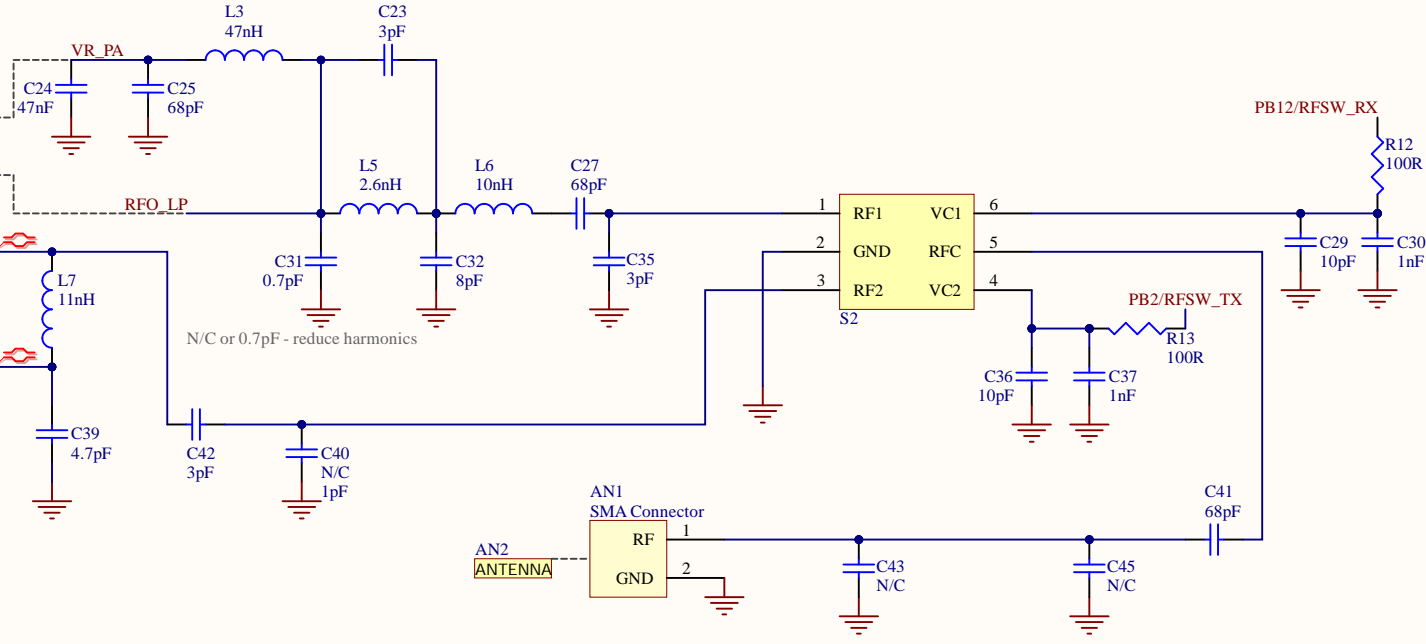
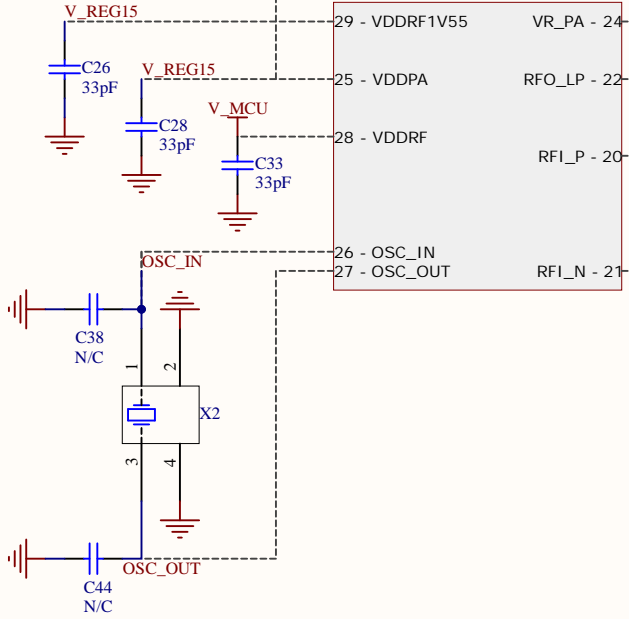
POWER PINS



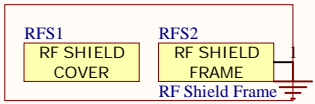
OSCILLATOR, RESET



RF PINS



RF SHIELD



With Thermal Barrier

Title			FIELD DEVICE SCHEMATIC
Size	Number 3 OF 3	Revision	
A4	RF, CRYSTALS	PARTS ORDERED	
Date:	9/07/2021	Sheet of	
File:	C:\Users\...\RF Schematic 0402.SchDoc	Drawn By:	

1

2

3

4

A

A

B

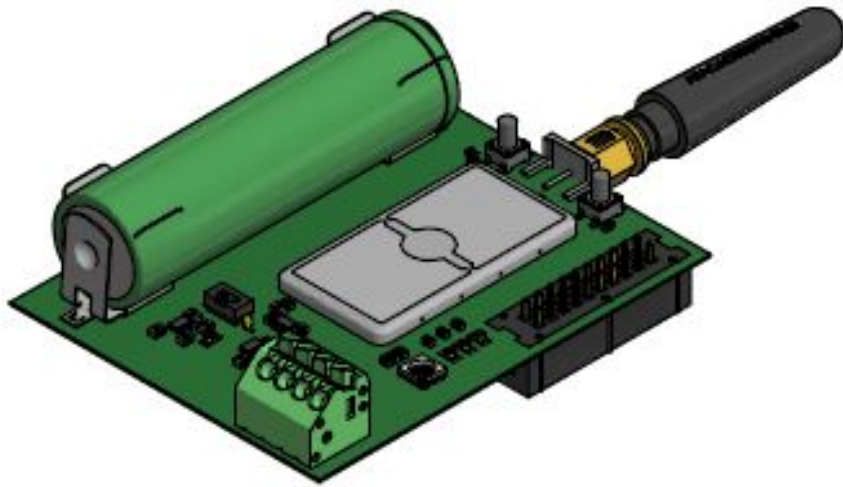
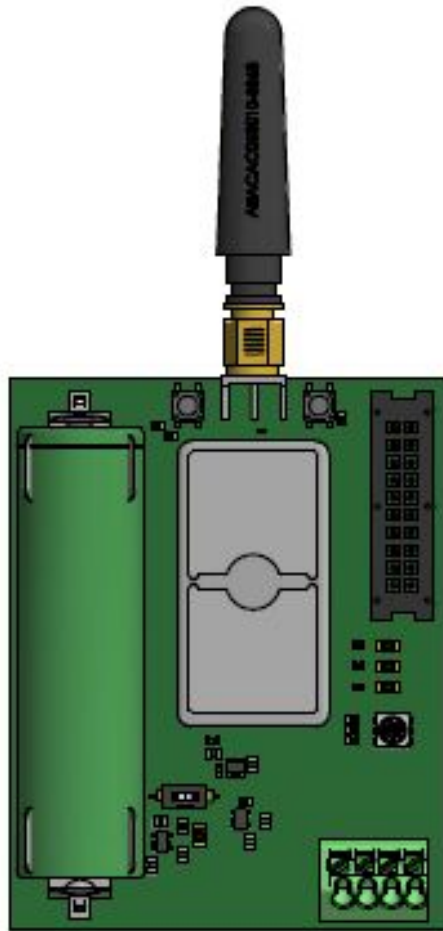
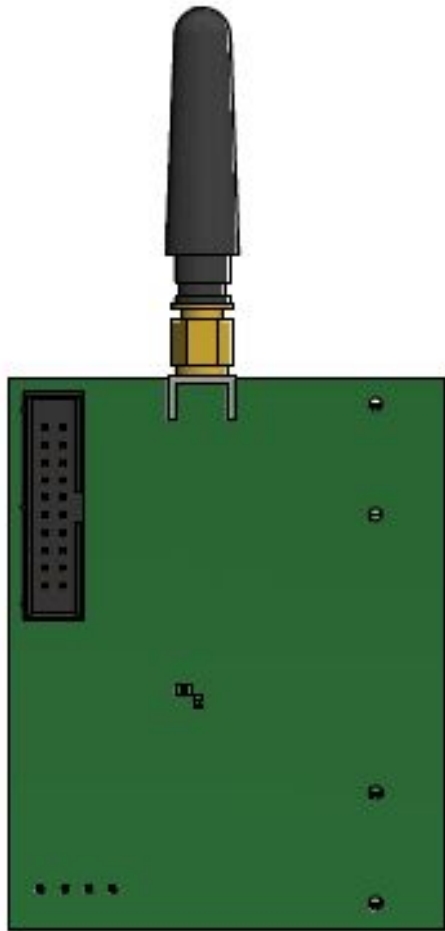
B

C

C

D

D



Title			FIELD DEVICE PCB		
Size	Number	1 OF 1		Revision	
A4	3D SKETCH - ASSEMBLY			PCB ORDERED	
Date:	9/07/2021		Sheet of		
File:	Sheet1.SchDoc		Drawn By:		

1

2

3

4